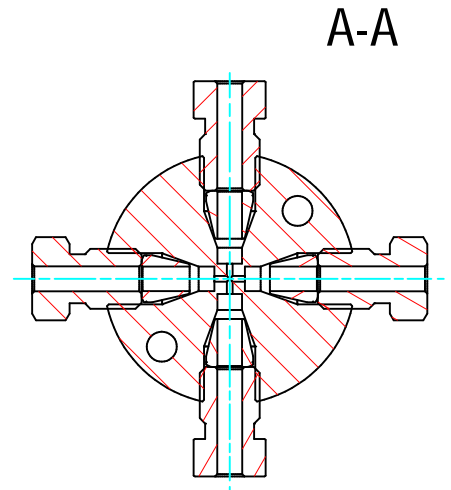
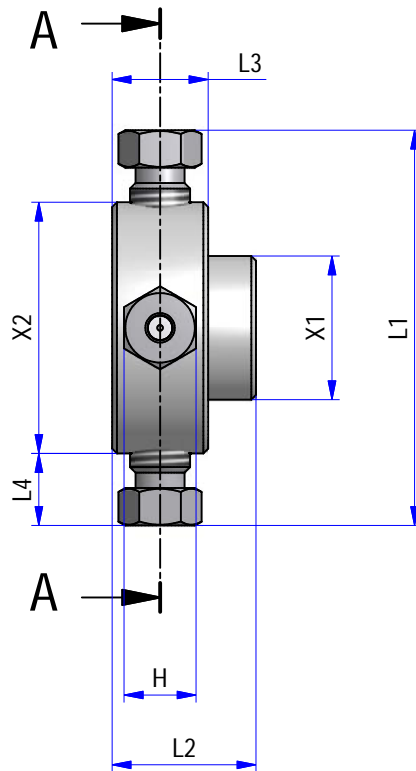


SHOWN ZX2



\* different bores / different materials

Dimension in mm [Inch]

| Part# | Description       | L1                    | L2                   | L3                   | L4                    | X1                     | X2                  | H                          |
|-------|-------------------|-----------------------|----------------------|----------------------|-----------------------|------------------------|---------------------|----------------------------|
| ZX.5* | Cross, ZDV: 1/32" | ~27.3 mm<br>[~1.070"] | 9.53 mm<br>[0.375"]  | 4.77 mm<br>[0.188"]  | ~4.5 mm<br>[~0.175"]  | Ø15.88 mm<br>[Ø0.625"] | Ø18.29<br>[Ø0.720"] | 4.76 mm Hex<br>[3/16" Hex] |
| ZX1*  | Cross, ZDV: 1/16" | ~39.3 mm<br>[~1.546"] | 12.7 mm<br>[0.500"]  | 6.35 mm<br>[0.250"]  | ~8.0 mm<br>[~0.313"]  | Ø19.05 mm<br>[Ø0.750"] | Ø23.37<br>[Ø0.920"] | 6.35 mm Hex<br>[1/4" Hex]  |
| ZX2*  | Cross, ZDV: 1/8"  | ~52.7 mm<br>[~2.076"] | 19.05 mm<br>[0.750"] | 12.7 mm<br>[0.500"]  | ~9.7 mm<br>[~0.383"]  | Ø19.05 mm<br>[Ø0.750"] | Ø33.27<br>[Ø1.310"] | 9.53 mm Hex<br>[3/8" Hex]  |
| ZX4*  | Cross, ZDV: 1/4"  | ~66.0 mm<br>[~2.600"] | 20.63 mm<br>[0.812"] | 14.28 mm<br>[0.562"] | ~10.8 mm<br>[~0.425"] | Ø19.05 mm<br>[Ø0.750"] | Ø44.45<br>[Ø1.750"] | 12.7 mm Hex<br>[1/2" Hex]  |

THIS DOCUMENT AND THE INFORMATION WHICH IT CONTAINS SHALL NOT BE USED, EXPLOITED OR SOLD, AND SHALL NOT BE REVEALED OR DISCLOSED TO OTHERS WITHOUT THE EXPRESS WRITTEN PERMISSION OF VICI. THIS DOCUMENT SHALL REMAIN THE PROPERTY OF VICI AND SHALL BE RETURNED UPON DEMAND.

Material  
MATERIAL

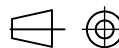
Dimensionen  
DIMENSIONS

Aenderungen:  
MODIFICATIONS:

Projektion  
PROJECTION

Allgemein Toleranzen  
GENERAL TOLERANCES

PART NO.:



SN EN 22768-1/ ISO 2768

# Crosses, metal

Masstab  
SCALE

Gezeichnet  
DRAWN

19.12.2005

F.P.

1:1

Geprüft / Freigabe  
CHECKED/ RELEASE

19.12.2005

FCo

CAD Nr.  
CAD NO.

506061.idw

General dimensions

Unterverz.:  
SUB DIREC.:

KUNDE

Zeichnungs Nr. / DRAWING NO.



VICI AG International, CH-6214 Schenkon

## 4 - GE - 5060.61